

FIRE ALARM CALL POINT (D-118)



DESCRIPTION

DEMCO Manual Call Point **D-118** is suitable for open or close circuit system and is professionally designed for use in fire detection systems with central control equipment. Alternative terminals are provided for open or close circuits. When wired for open circuit operation, the circuit closes instantly when the glass is broken.

Cable knockout seals are provided for 3.4"Ø conduit entries from top, bottom and the back. The casings are moulded from specially selected engineering plastic which comes in 5 different colours, with high impact strength, high resistance to heat. All metal parts are made of brass and phosphor bronze to ensure life long resistance against corrosion.

Demco Manual Call Point **D-118** is designed to meet the requirement of BS5839 Part 2 and EN54 Part 2.

DEMCO ADVANTAGES

- Double terminal wire connectors for independent input and output connections which facilitate installations when used in looping.
- Instant test operation is available through activation utilizing a special key provided.
- Suitable for surface or flush mounting.



RANGE OF CASING COLOURS
White, Yellow, Green, Red, Blue

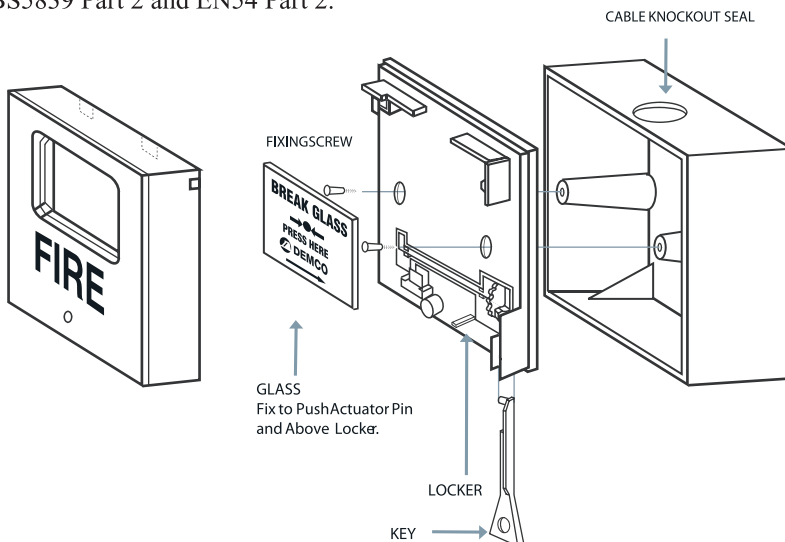
SPECIFICATION

Size (H x W x D)	88 X 88 X 55 mm
Current Ratings	12/24V DC 10A 48V DC 3A 250V AC 10A
Net/Gross Weight	150/176g
Connections	TERMINAL- MAX 2.5mm ² CABLE

Specifications are subject to change.

OPTIONAL FEATURES

- Polycarbonate transparent protection cover.
- Super-bright LED.
- Monitoring resistor.
- Blocking diode.
- Different range of casing colours - white, yellow, green, red and blue.
- Specific languages available on facial layout upon request.



DEMCO
INDUSTRIES SDN BHD
www.demcoalarm.com

Lot 3928, Jalan Keretapi Lama
Off Jalan Kapar 5 1/2 Miles
42100 Klang
Selangor Darul Ehsan
West Malaysia
Tel: 603-3290 3333
Fax: 603-3290 2288
E-mail: sales@demcoalarm.com
demco@tm.net.my



Quality without Compromise